

## 英国 BRAUER 氮碳共渗及黑氧化夹钳

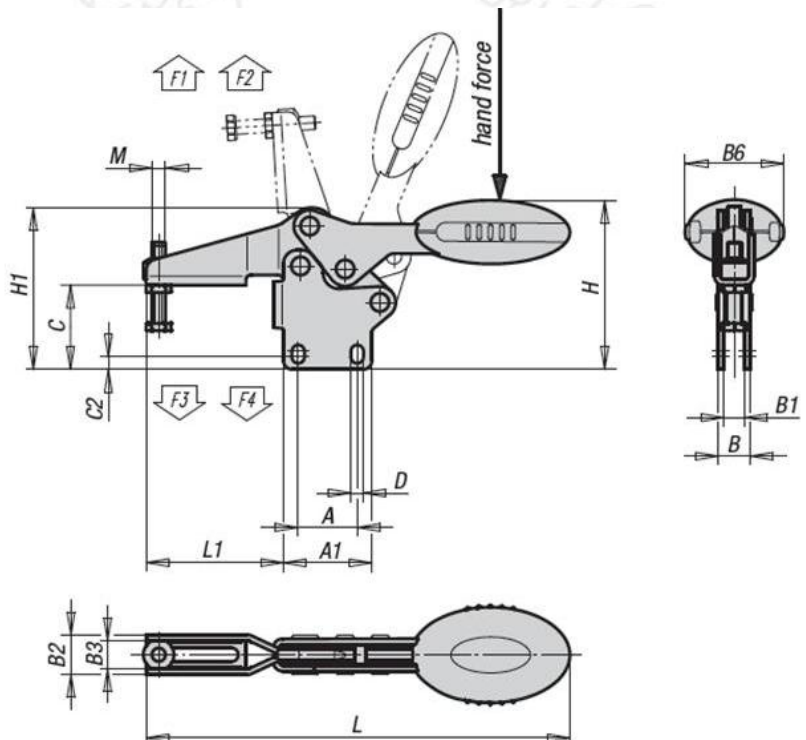
### Nitro-Carburized And Black Oxidized Clamps

BRAUER 氮碳共渗及黑氧化夹钳结构种类及型号:

1. 水平, 直座型	H75/1BK, H150/1BK, H250/1BK, H350/1BK, H450/1BK
2. 水平, 法兰座型	H50/2BK, H80/2BK, H150/2BK, H250/2BK, H350/2BK, H450/2BK
3. 垂直, 直座型	V90/1BK, V150/1BK, V250/1BK, V350/1BK, V450/1BK
4. 垂直, 法兰座型	V90/2BK, V150/2BK, V250/2BK, V350/2BK, V450/2BK

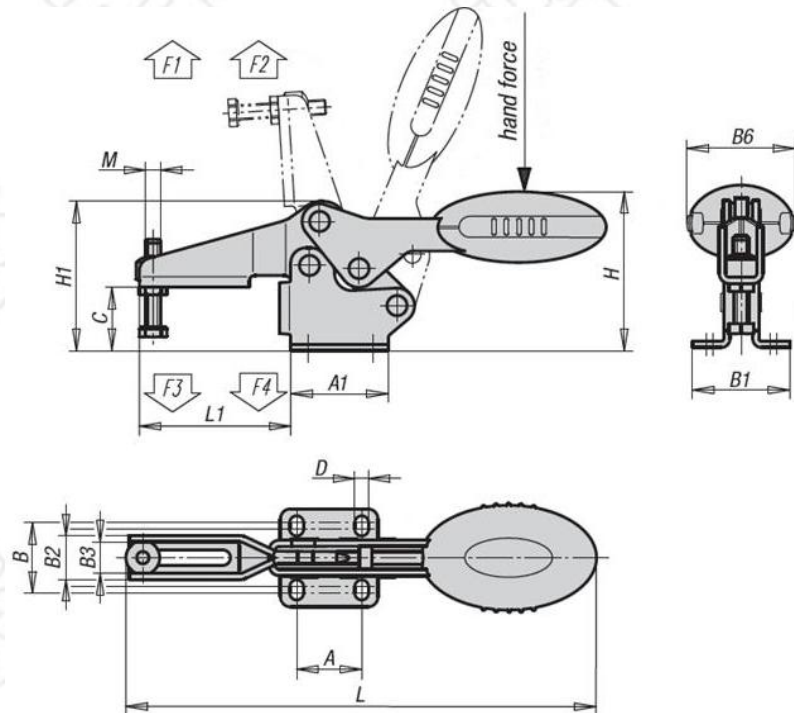
1.水平, 直座型夹钳具体尺寸及参数如下:

型号	M	A	A1	B	B1	B2	B3	B6	C	C2	D	H	H1	L	L1
H75/1BK	M5x25	18	27	8.1	4.1	13.2	9.1	22.5	26	5.1	5.5	51.8	47.7	125.7	41.8
H150/1BK	M6x35	26	39	14.1	9.1	17.5	12.4	43.5	37	5.5	5.5	74.2	71	186.8	60.5
H250/1BK	M8x45	26	44	14.1	9.1	21	15.7	41.5	46.5	7	6.2	88.2	84.4	223.5	74.9
H350/1BK	M10x55	41.5	59	16.2	9.2	26	18.7	47	59.6	8	8.8	114.4	107.5	279.3	103.9
H450/1BK	M12x70	44	65	16.2	67	28	20.9	47	75.9	13.5	8.5	128.4	125.2	314.7	122



## 2. 水平，法兰座型夹钳具体尺寸及参数如下：

型号	M	A	A1	B	B1	B2	B3	B6	C	C2	D	H	H1	L	L1
H50/2BK	M4X16	16	24	16	24	10.2	7.1	20	11.7	5.75	4.2	29.3	26.3	91.8	23.7
H80/2BK	M5X25	18	27	16.8	27	13.2	9.1	22.5	18	5.1	5.5	43.4	38.9	126.3	42.6
H150/2BK	M6X35	26	39	28	39	17.5	12.4	43.5	25.5	-	5.5	63.2	59.5	186.7	60.5
H250/2BK	M8X45	26	44	31	45	21	15.7	41.5	32.2	-	6.2	73.9	70	223.2	74.9
H350/2BK	M10X55	41.5	59	43	59	26	18.7	47	40	-	8.8	94.8	87.9	279.4	103.9
H450/2BK	M12X70	44	65	42	67	28	20.9	47	52.3	13.5	8.5	104.8	101.6	314.7	122



## 3. 垂直，直座型夹钳具体尺寸及参数如下：

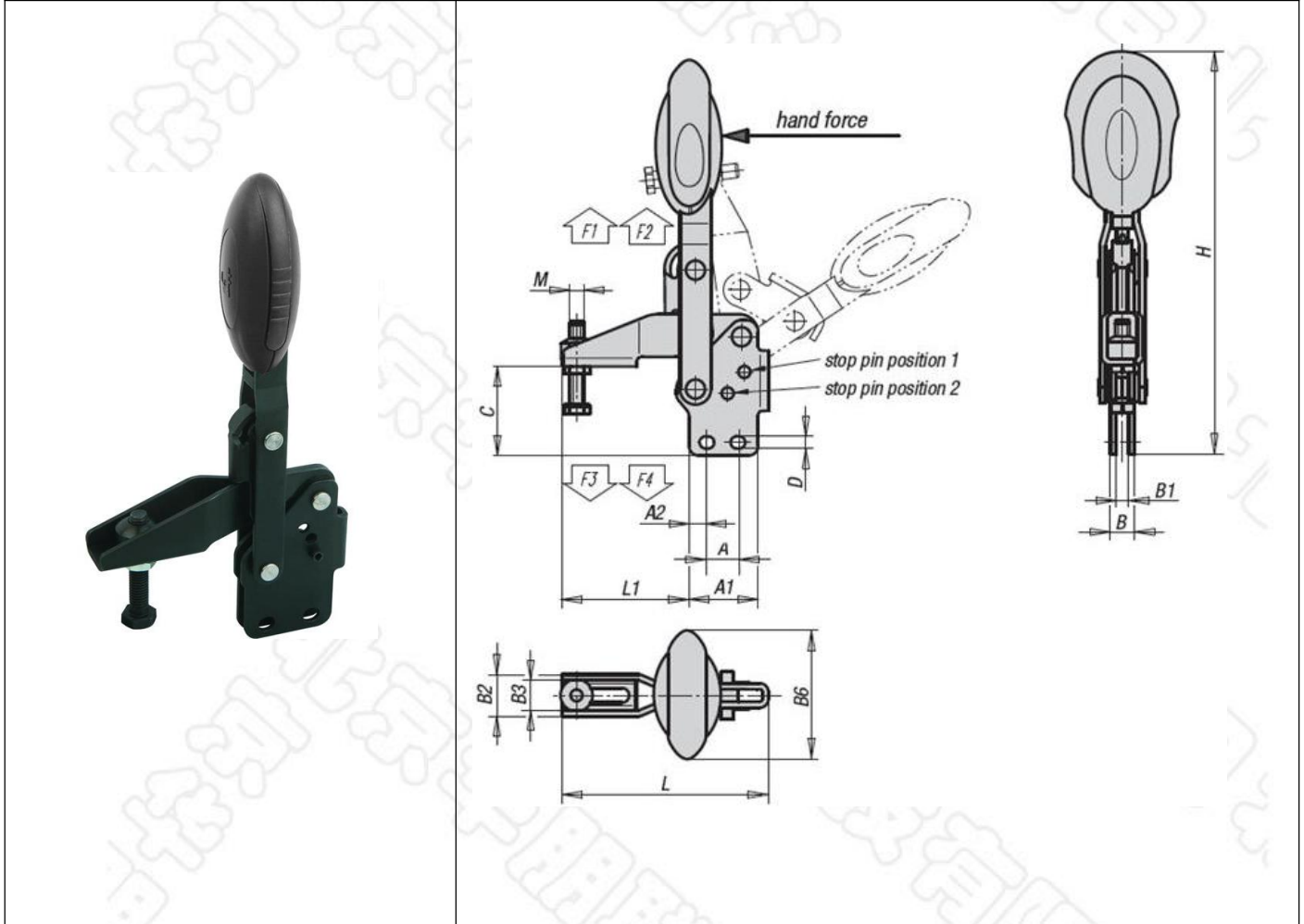
地址：北京市朝阳区裕民路 12 号元辰鑫大厦 E1 座 309 室 邮编：100029

Add: Room 309, E1 Yuanchenxin Office Building, No. 12 Yumin Road, Chaoyang District, Beijing 100029, China

Tel: 86-10-62022930 Fax: 86-10-62361105 website: [www.hplcnet.com](http://www.hplcnet.com) E-mail: [info@hplccn.com](mailto:info@hplccn.com)



型号	M	A	A1	A2	B	B1	B2	B3	B6	C	C2	D	H	L	L1
V90/1BK	M5X25	16	25	4.5	8.1	4.1	13.2	9.1	22.5	30.8	5.5	4.5	120.3	63.5	35
V150/1BK	M6X35	14	29	7	10.2	5.2	17.5	12.4	43.5	37.6	5.5	5.5	169.1	86.5	53
V250/1BK	M8X45	21	39	9	10.2	5.2	20.6	15.5	41.5	49	6.5	6.8	200.1	107	62
V350/1BK	M10X55	32	50	8	14.1	7.1	25.5	18.4	47	62.3	13	9	247.4	153	95
V450/1BK	M12X70	32	53	10.5	14.1	7.1	28	20.9	47	69.8	9	8.8	265.5	173.5	113.5



4. 垂直，法兰座型夹钳具体尺寸及参数如下：

地址：北京市朝阳区裕民路 12 号元辰鑫大厦 E1 座 309 室 邮编：100029

Add: Room 309, E1 Yuanchenxin Office Building, No.12 Yumin Road, Chaoyang District, Beijing 100029, China

Tel: 86-10-62022930 Fax: 86-10-62361105 website: www.hplcnet.com E-mail: info@hplccn.com



型号	M	A	A1	B1	B2	B3	B6	C	H	L	L1
V90/2BK	M5X25	16	25	433	13.2	9.1	22.5	19.1	108.5	63.5	35
V150/2BK	M6X35	14	29	38	17.5	12.4	43.5	24.7	156.2	86.5	53
V250/2BK	M8X45	21	39	45	20.6	15.5	41.5	32.7	183.9	107	62
V350/2BK	M10X55	32	50	64	25.5	18.4	47	38.7	222.9	153	95
V450/2BK	M12X70	32	53	63	28	20.9	47	46.7	242.4	173.5	113.5

